

JVC

SERVICE MANUAL

COLOUR TELEVISION

BASIC CHASSIS

CG

AV-14F4TEE_{/SK}

Supplement

The following item for the AV-14F4TEE_{/SK} model was changed from AV-14F4TEE model.

Therefore, this service manual consists of PARTS LIST only.

For details other than those described in this manual, please refer to the AV-14F4TEE Service Manual (No. 56075 Sep.2000) and AV-14FTR Service Manual (No.51751,Jul.2000).

■ OUTLINE

This model is assembled locally in the factory in Ukraine and sold domestically.

Accordingly, some parts including PICTURE TUBE and MAIN P.W. BOARD have been changed.

■ HOW TO IDENTIFY MODELS

Identify that the model name "AV-14F4TEE_{/SK}" is printed on the margin of the rating label affixed to the rear cover.

■ MAIN DIFFERENT PARTS LIST (Between AV-14F4TEE and AV-14F4TEE/SK)

● USING P.W. BOARD

Model	AV-14F4TEE	AV-14F4TEE/SK
PWB A'SSY		
MAIN PWB	SCG-1259A-H2	SCG-1278A-H2

● EXPLODED VIEW PARTS LIST

△	Ref. No.	Parts No.		Parts Name	Remarks
		AV-14F4EE	AV-14F4EE/SK		
△	V01	A34AGT15X	A34JXV80X37	PICTURE TUBE	Not interchangeable
△	DY01	CJ28325-00A	—————	DEF YOKE	Delete
	L01	QQW0075-001	QQW0096-001	DEG COIL	Not interchangeable
△	10	CE42153-00AJ1	GG40009-002A-H	WEDGE ASS'Y	↑
	11	CE40305-00B	GG40009-003A-H	PC MAGNET	↑
△	16	CM12961-D01-VH	CM12961-D01-KH	REAR COVER	↑
△	19	LC20377-009A-H	LC20377-015A-H	RATING LABEL	↑

● PACKING PARTS LIST

△	Ref. No.	Parts No.		Parts Name	Remarks
		AV-14F4EE	AV-14F4EE/SK		
		—————	LCT0862-001A-H	INST SHEET	Addition

PARTS LIST

CAUTION

- The parts identified by the \triangle symbol are important for the safety. Whenever replacing these parts, be sure to use specified ones to secure the safety.
- The parts not indicated in this Parts List and those which are filled with lines—in the Parts No. columns will not be supplied.
- P.W.Board Ass'y will not be supplied, but those which are filled with the Parts No. in the Parts No. columns will be supplied.

ABBREVIATIONS OF RESISTORS, CAPACITORS AND TOLERANCES

RESISTORS		CAPACITORS	
C R	Carbon Resistor	C CAP.	Ceramic Capacitor
F R	Fusible Resistor	E CAP.	Electrolytic Capacitor
P R	Plate Resistor	M CAP.	Mylar Capacitor
V R	Variable Resistor	HV CAP.	High Voltage Capacitor
HV R	High Voltage Resistor	MF CAP.	Metalized Film Capacitor
MF R	Metal Film Resistor	MM CAP.	Metalized Mylar Capacitor
MG R	Metal Glazed Resistor	MP CAP.	Metalized Polystyrol Capacitor
MP R	Metal Plate Resistor	PP CAP.	Polypropylene Capacitor
OM R	Metal Oxide Film Resistor	PS CAP.	Polystyrol Capacitor
CMF R	Coating Metal Film Resistor	TF CAP.	Thin Film Capacitor
UNF R	Non-Flammable Resistor	MPP CAP.	Mrtalized Polypropylene Capacitor
CH V R	Chip Variable Resistor	TAN. CAP.	Tantalum Capacitor
CH MG R	Chip Metal Glazed Resistor	CH C CAP.	Chip Ceramic Capacitor
COMP. R	Composition Resistor	BP E CAP.	Bi-Polar Electrolytic Capacitor
LPTC R	Linear Positive Temperature Coefficient Resistor	CH AL E CAP.	Chip Aluminum Electrolytic Capacitor
NETW R	Network Resistor	CH AL BP CAP.	Chip Aluminum Bi-Polar Capacitor
		CH TAN. E CAP.	Chip Tantalum Electrolytic Capacitor
		CH AL BP E CAP.	Chip Tantalum Bi-Polar Electrolytic Capacitor

TOLERANCES									
F	G	J	K	M	N	R	H	Z	P
±1%	±2%	±5%	±10%	±20%	±30%	+30% -10%	+50% -10%	+80% -20%	+100% -0%

CONTENTS

- USING P.W. BOARD 4
- EXPLODED VIEW PARTS LIST 4
- EXPLODED VIEW 4,5
- PRINTED WIRING BOARD PARTS LIST
 - MAIN PW BOARD ASS'Y(SCG-1278A-H2) 6
- PACKING 10
- PACKING PARTS LIST 10
- REMOTE CONTROL UNIT PARTS LIST 11

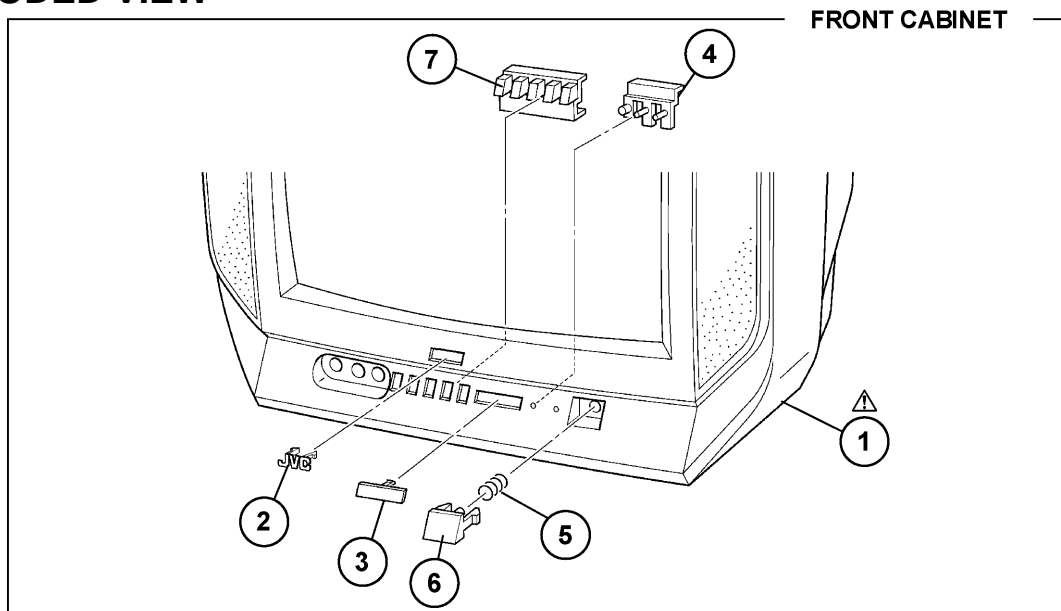
USING P.W. BOARD

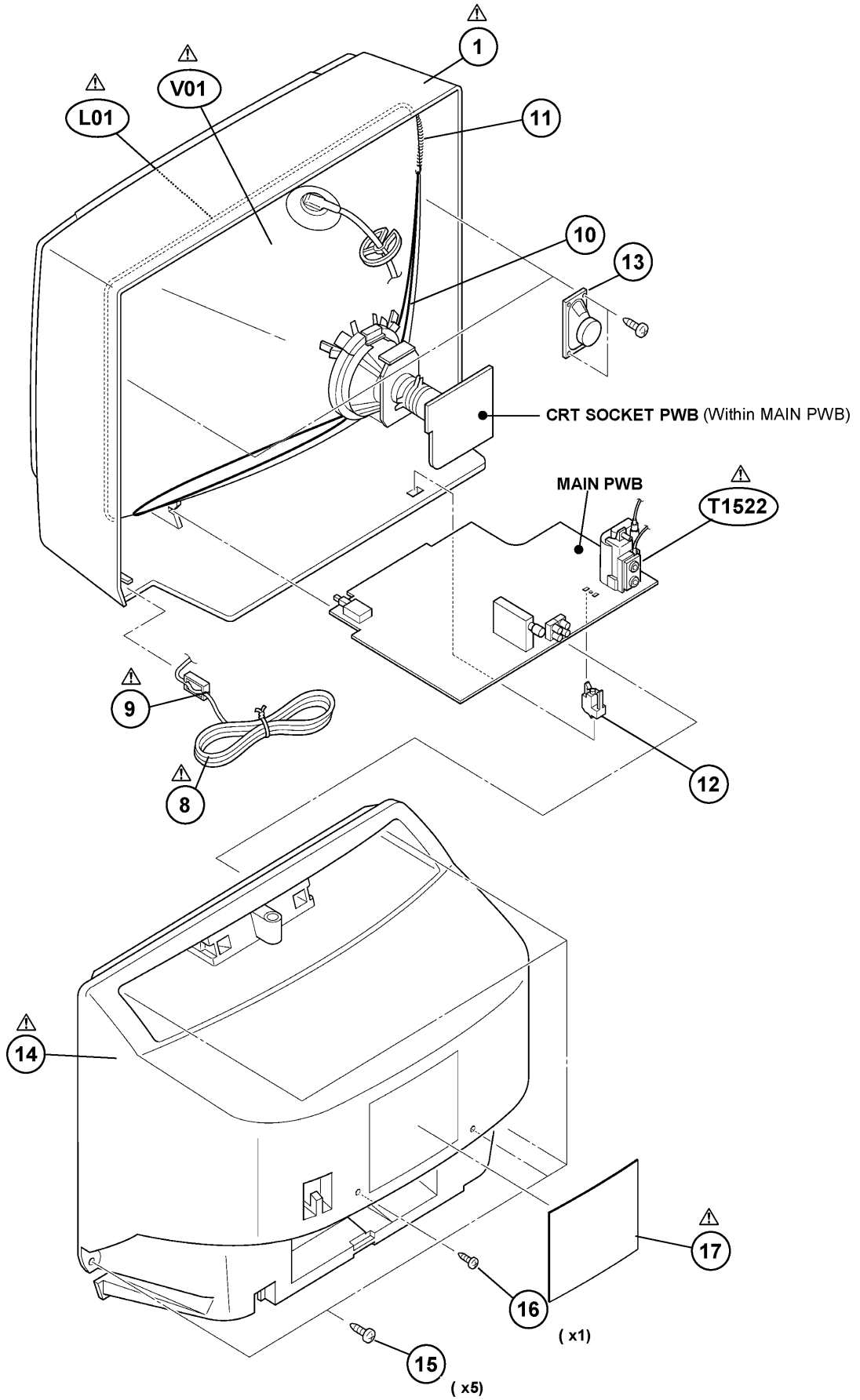
P.W.B. ASS'Y	Parts No.
MAIN P.W.B.	SCG-1278A-H2

EXPLODED VIEW PARTS LIST

△ Ref. No.	Part No.	Part Name	Description	Local
△ V01	A34JXV80X37	ITC TUBE(C)		
△ L01	QQW0096-001	DEGAUSSING COIL		
△ T1522	QQH0072-001-KD	H. V. TRANSF.		
△ 1	LC10831-004C-HK	FRONT CABINET		
2	CM46880-002-H	JVC MARK		
3	LC30617-001C-H	E. E. WINDOW		
4	LC30618-001A-H	L. E. D. LENS		
5	CM35235-003-H	SPRING		
6	LC30616-004A-H	POWER KNOB		
7	LC20292-004A-H	CONTROL KNOB		
△ 8	QMP40D0-200J5	POWER CORD		
△ 9	CM47005-A01-H	CORD CLAMP		
10	CHGB0016-0A	BRAIDED WIRE		
11	A48457-3-H	SPRING		
12	CM48144-002-H	P. W. B. STOPPER		
13	QAS0054-001	SPEAKER	(x2) SP01, SP02	
△ 14	CM12961-D01-KH	REAR COVER		
15	QYSBSFG4016Z	TAPPING SCREW	(x5)	
16	QYSBSF3010Z	TAPPING SCREW	(x1)	
△ 17	LC20377-015A-H	RATING LABEL		

EXPLODED VIEW





PRINTED WIRING BOARD PARTS LIST

MAIN P.W. BOARD ASS'Y (SCG-1278A-H2)

Symbol No.	Part No.	Part Name	Description
------------	----------	-----------	-------------

RESISTOR

R1002-03	NRSA02J-221X	MG R	220Ω 1/10W J
R1004	NRSA02J-563X	MG R	56kΩ 1/10W J
R1102	NRSA02J-750X	MG R	75Ω 1/10W J
R1103	NRSA02J-100X	MG R	10Ω 1/10W J
R1109	NRSA02J-682X	MG R	6.8kΩ 1/10W J
R1110	NRSA02J-272X	MG R	2.7kΩ 1/10W J
R1111	NRSA02J-181X	MG R	180Ω 1/10W J
R1112	NRSA02J-100X	MG R	10Ω 1/10W J

R1113	NRSA02J-101X	MG R	100Ω 1/10W J
R1114	NRSA02J-472X	MG R	4.7kΩ 1/10W J
R1115	NRSA02J-222X	MG R	2.2kΩ 1/10W J
R1117	NRSA02J-0R0X	MG R	0.0Ω 1/10W J
R1118	NRSA02J-222X	MG R	2.2kΩ 1/10W J
R1120	NRSA02J-391X	MG R	390Ω 1/10W J
R1121	NRSA02J-221X	MG R	220Ω 1/10W J
R1159	NRSA02J-184X	MG R	180kΩ 1/10W J

R1301	NRSA02J-221X	MG R	220Ω 1/10W J
R1302	NRSA02J-472X	MG R	4.7kΩ 1/10W J
R1303-05	NRSA02J-101X	MG R	100Ω 1/10W J
R1306	NRSA02J-221X	MG R	220Ω 1/10W J
R1307	NRSA02J-122X	MG R	1.2kΩ 1/10W J
R1308	NRSA02J-182X	MG R	1.8kΩ 1/10W J
R1312	NRSA02J-0R0X	MG R	0.0Ω 1/10W J
R1313	NRSA02J-102X	MG R	1kΩ 1/10W J

R1314	NRSA02J-102X	MG R	1kΩ 1/10W J
R1321	NRSA02J-152X	MG R	1.5kΩ 1/10W J
R1322	NRSA02J-272X	MG R	2.7kΩ 1/10W J
R1323	NRSA02J-103X	MG R	10kΩ 1/10W J
R1324	NRSA02J-102X	MG R	1kΩ 1/10W J
R1326	NRSA02J-101X	MG R	100Ω 1/10W J
R1327	NRSA02J-475X	MG R	4.7kΩ 1/10W J
R1333	NRSA02J-681X	MG R	680Ω 1/10W J

R1341	NRSA02J-332X	MG R	3.3kΩ 1/10W J
R1345-46	NRSA02J-151X	MG R	150Ω 1/10W J
R1353	NRSA02J-151X	MG R	150Ω 1/10W J
R1354-56	NRSA02J-331X	MG R	330Ω 1/10W J
R1357-59	NRSA02J-101X	MG R	100Ω 1/10W J
R1360-62	QRZ0107-152Z	C R	1.5kΩ 1/2W K
R1363-65	QRL029J-123	OM R	12kΩ 2W J
R1366-68	NRSA02J-182X	MG R	1.8kΩ 1/10W J

R1372	NRSA02J-682X	MG R	6.8kΩ 1/10W J
R1373	NRSA02J-102X	MG R	1kΩ 1/10W J
R1374	NRSA02J-472X	MG R	4.7kΩ 1/10W J
R1375	NRSA02J-153X	MG R	15kΩ 1/10W J
R1376	NRSA02J-562X	MG R	5.6kΩ 1/10W J
R1377-79	NRSA02J-104X	MG R	100kΩ 1/10W J
R1380-82	NRSA02J-154X	MG R	150kΩ 1/10W J
R1383	NRSA02J-273X	MG R	27kΩ 1/10W J

R1384	NRSA02J-472X	MG R	4.7kΩ 1/10W J
R1385	NRSA02J-123X	MG R	12kΩ 1/10W J
R1401	NRSA02J-103X	MG R	10kΩ 1/10W J
R1421-22	NRSA02J-122X	MG R	1.2kΩ 1/10W J
R1423	NRSA02J-331X	MG R	330Ω 1/10W J
R1424	NRSA02J-101X	MG R	100Ω 1/10W J
R1425	NRSA02J-471X	MG R	470Ω 1/10W J
R1426	NRSA02J-0R0X	MG R	0.0Ω 1/10W J

R1430	NRSA02J-823X	MG R	82kΩ 1/10W J
R1431	NRSA02J-103X	MG R	10kΩ 1/10W J
R1432-33	QRE121J-3R9Y	C R	3.9Ω 1/2W J
R1436	NRSA02J-823X	MG R	82kΩ 1/10W J
R1437	NRSA02J-822X	MG R	8.2kΩ 1/10W J
R1438	NRSA02J-223X	MG R	22kΩ 1/10W J
R1439	NRSA02J-104X	MG R	100kΩ 1/10W J
R1440	QRE121J-561Y	C R	560Ω 1/2W J

R1441	NRSA02J-822X	MG R	8.2kΩ 1/10W J
R1442	NRSA02J-103X	MG R	10kΩ 1/10W J
R1443	QRE121J-1R0Y	C R	1.0Ω 1/2W J
R1453	NRSA02J-272X	MG R	2.7kΩ 1/10W J
R1501	QRE121J-101Y	C R	100Ω 1/2W J

Symbol No.	Part No.	Part Name	Description
------------	----------	-----------	-------------

RESISTOR

R1502	NRSA02J-0R0X	MG R	0.0Ω 1/10W J
R1503	NRSA02J-682X	MG R	6.8kΩ 1/10W J
R1521	NRSA02J-681X	MG R	680Ω 1/10W J
R1522	NRSA02J-103X	MG R	10kΩ 1/10W J
R1524	QRL03EJ-680X	OM R	68Ω 3W J
R1526	QRE121J-270Y	C R	27Ω 1/2W J
R1528	QRE121J-471Y	C R	470Ω 1/2W J
R1529	QRL039J-151	OM R	150Ω 3W J

R1531	NRSA02J-472X	MG R	4.7kΩ 1/10W J
R1532	NCB31HK-103X	C CAP.	0.01μF 50V K
R1533-34	NRSA02J-332X	MG R	3.3kΩ 1/10W J
△ R1551	QRZ9011-1R0	F R	1.0Ω 1/2W J
△ R1552	QRJ146J-2R2X	C R	2.2Ω 1/4W J
R1554	QRE121J-182Y	C R	1.8kΩ 1/2W J
R1571	QRE121J-272Y	C R	2.7kΩ 1/2W J
R1573	QRT02EJ-1R5X	MF R	1.5Ω 2W J

R1574	QRT02EJ-2R7X	MF R	2.7Ω 2W J
R1576	QRE121J-223Y	C R	22kΩ 1/2W J
R1577	NRSA02J-562X	MG R	5.6kΩ 1/10W J
R1578	NRSA02J-103X	MG R	10kΩ 1/10W J
R1581	QRE121J-182Y	C R	1.8kΩ 1/2W J
R1582	NRSA02J-273X	MG R	27kΩ 1/10W J
R1583	NRSA02J-393X	MG R	39kΩ 1/10W J
R1651	NRSA02J-103X	MG R	10kΩ 1/10W J

R1652	NRSA02J-102X	MG R	1kΩ 1/10W J
R1653	QRE121J-1R0Y	C R	1.0Ω 1/2W J
R1654	QRX029J-4R7	MF R	4.7Ω 2W J
R1656	NRSA02J-123X	MG R	12kΩ 1/10W J
R1657	NRSA02J-391X	MG R	390Ω 1/10W J
R1658	NRSA02J-102X	MG R	1kΩ 1/10W J
R1659	NRSA02J-102X	MG R	1kΩ 1/10W J
R1660	NRSA02J-103X	MG R	10kΩ 1/10W J

R1661-62	QRE121J-271Y	C R	270Ω 1/2W J
R1664	NRSA02J-221X	MG R	220Ω 1/10W J
R1665	NRSA02J-103X	MG R	10kΩ 1/10W J
R1701	NRSA02J-562X	MG R	5.6kΩ 1/10W J
R1702	NRSA02J-682X	MG R	6.8kΩ 1/10W J
R1703	NRSA02J-392X	MG R	3.9kΩ 1/10W J
R1704-05	NRSA02J-221X	MG R	220Ω 1/10W J
R1706-07	NRSA02J-561X	MG R	560Ω 1/10W J

R1708	NRSA02J-102X	MG R	1kΩ 1/10W J
R1709-14	NRSA02J-472X	MG R	4.7kΩ 1/10W J
R1715-16	NRSA02J-221X	MG R	220Ω 1/10W J
R1718	NRSA02J-561X	MG R	560Ω 1/10W J
R1719	NRSA02J-102X	MG R	1kΩ 1/10W J
R1720	NRSA02J-472X	MG R	4.7kΩ 1/10W J
R1721	NRSA02J-103X	MG R	10kΩ 1/10W J
△ R1723	QRZ9023-270	F R	27Ω 2W J

R1725	NRSA02J-102X	MG R	1kΩ 1/10W J
R1726	NRSA02J-472X	MG R	4.7kΩ 1/10W J
R1727	NRSA02J-153X	MG R	15kΩ 1/10W J
△ R1728	NRSA02J-102X	MG R	1kΩ 1/10W J
△ R1729	NRSA02J-102X	MG R	1kΩ 1/10W J
R1730	NRSA02J-103X	MG R	10kΩ 1/10W J
R1731	NRSA02J-472X	MG R	4.7kΩ 1/10W J
R1736	NRSA02J-823X	MG R	82kΩ 1/10W J

R1737	NRSA02J-104X	MG R	100kΩ 1/10W J
R1738-39	NRSA02J-103X	MG R	10kΩ 1/10W J
R1740	NRSA02J-392X	MG R	3.9kΩ 1/10W J
R1741	NRSA02J-561X	MG R	560Ω 1/10W J
R1742	NRSA02J-563X	MG R	56kΩ 1/10W J
R1745	NRSA02J-472X	MG R	4.7kΩ 1/10W J
R1746	NRSA02J-103X	MG R	10kΩ 1/10W J
R1747	NRSA02J-0R0X	MG R	0.0Ω 1/10W J

R1748	NRSA02J-103X	MG R	10kΩ 1/10W J
R1749	NRSA02J-472X	MG R	4.7kΩ 1/10W J
R1771-72	NRSA02J-821X	MG R	820Ω 1/10W J
R1791-95	NRSA02J-221X	MG R	220Ω 1/10W J
R1796	NRSA02J-154X	MG R	150kΩ 1/10W J

Symbol No.	Part No.	Part Name	Description	Symbol No.	Part No.	Part Name	Description
RESISTOR				CAPACITOR			
R1797	NRSA02J-153X	MG R	15kΩ 1/10W J	C1113	NCB31HK-472X	C CAP.	4700pF 50V K
R1802	NRSA02J-750X	MG R	75Ω 1/10W J	C1115-16	NCB31HK-103X	C CAP.	0.01μF 50V K
R1806	QRE121J-271Y	C R	270Ω 1/2W J	C1117	QFV71HJ-224Z	MF CAP.	0.22μF 50V J
R1807	NRSA02J-680X	MG R	68Ω 1/10W J	C1119	QETN1HM-474Z	E CAP.	0.47μF 50V M
R1810	QRG01GJ-560	OM R	56Ω 1W J	C1120	NDC31HJ-121X	C CAP.	120pF 50V J
R1811	NRSA02J-221X	MG R	220Ω 1/10W J	C1121-22	NCB31HK-103X	C CAP.	0.01μF 50V K
R1815	QRE121J-181Y	C R	180Ω 1/2W J	C1162	NCB31HK-152X	C CAP.	1500pF 50V K
R1816	NRSA02J-681X	MG R	680Ω 1/10W J	C1301	NCB21HK-123X	C CAP.	0.012μF 50V K
R1817	NRSA02J-472X	MG R	4.7kΩ 1/10W J	C1302	QETN1HM-475Z	E CAP.	4.7μF 50V M
R1825	NRSA02J-221X	MG R	220Ω 1/10W J	C1303	NDC31HJ-100X	C CAP.	10pF 50V J
R1827	NRSA02J-102X	MG R	1kΩ 1/10W J	C1304	QFV71HJ-474Z	MF CAP.	0.47μF 50V J
R1828	NRSA02J-272X	MG R	2.7kΩ 1/10W J	C1305	QETN1HM-474Z	E CAP.	0.47μF 50V M
R1830	NRSA02J-273X	MG R	27kΩ 1/10W J	C1306	NCB31HK-103X	C CAP.	0.01μF 50V K
R1831	NRSA02J-105X	MG R	1MΩ 1/10W J	C1307	QETN1CM-477Z	E CAP.	470μF 16V M
R1832	NRSA02J-221X	MG R	220Ω 1/10W J	C1308	QETN1CM-107Z	E CAP.	100μF 16V M
R1833	NRSA02J-822X	MG R	8.2kΩ 1/10W J	C1309	NCB31HK-103X	C CAP.	0.01μF 50V K
R1834	NRSA02J-393X	MG R	39kΩ 1/10W J	C1310	NDC31HJ-221X	C CAP.	220pF 50V J
R1835	NRSA02J-182X	MG R	1.8kΩ 1/10W J	C1311	NCB31HK-103X	C CAP.	0.01μF 50V K
R1836	NRSA02J-473X	MG R	47kΩ 1/10W J	C1312	QENC1HM-474Z	BP E CAP.	0.47μF 50V M
R1837	NRSA02J-393X	MG R	39kΩ 1/10W J	C1313	QETN1HM-335Z	E CAP.	3.3μF 50V M
R1838	NRSA02J-103X	MG R	10kΩ 1/10W J	C1314	NCB31HK-103X	C CAP.	0.01μF 50V K
R1839	NRSA02J-472X	MG R	4.7kΩ 1/10W J	C1315	QETN1CM-107Z	E CAP.	100μF 16V M
R1840	NRSA02J-331X	MG R	330Ω 1/10W J	C1316	QETN1HM-106Z	E CAP.	10μF 50V M
R1841	NRSA02J-472X	MG R	4.7kΩ 1/10W J	C1317	NCB31EK-473X	C CAP.	0.047μF 25V K
R1842	NRSA02J-331X	MG R	330Ω 1/10W J	C1321	NDC31HJ-120X	C CAP.	12pF 50V J
R1843	NRSA02J-472X	MG R	4.7kΩ 1/10W J	C1322	NCB21HK-273X	C CAP.	0.027μF 50V K
R1844	NRSA02J-331X	MG R	330Ω 1/10W J	C1323	QETN1HM-474Z	E CAP.	0.47μF 50V M
R1845	NRSA02J-102X	MG R	1kΩ 1/10W J	C1324	QETN1HM-106Z	E CAP.	10μF 50V M
R1846	NRSA02J-103X	MG R	10kΩ 1/10W J	C1325	QENC1HM-106Z	BP E CAP.	10μF 50V M
R1847	NRSA02J-182X	MG R	1.8kΩ 1/10W J	C1326	NCS21HJ-221X	C CAP.	220pF 50V J
R1848	NRSA02J-102X	MG R	1kΩ 1/10W J	C1341	QETN1HM-106Z	E CAP.	10μF 50V M
R1849	NRSA02J-153X	MG R	15kΩ 1/10W J	C1352	QFZ0097-103	MM CAP.	0.01μF 1250V K
△ R1901	QRFO74K-4R7	UNF R	4.7Ω 7W K	C1354	NDC31HJ-271X	C CAP.	270pF 50V J
R1903	QRLO2EJ-683X	OM R	68kΩ 2W J	C1355	NDC31HJ-221X	C CAP.	220pF 50V J
R1921	QRE121J-681Y	C R	680Ω 1/2W J	C1356	NDC31HJ-331X	C CAP.	330pF 50V J
R1922	QRT029J-1R2	MF R	1.2Ω 2W J	C1357	QETN1AM-477Z	E CAP.	470μF 10V M
R1923	QRMO59J-R22	MP R	0.22Ω 5W J	C1365-67	QENC1HM-105Z	BP E CAP.	1μF 50V M
R1926	NRSA02J-222X	MG R	2.2kΩ 1/10W J	C1401	QFV71HJ-474Z	MF CAP.	0.47μF 50V J
R1928	QRLO3EJ-563X	O. M. F. R	56kΩ 3W J	C1402	QFV71HJ-104Z	MF CAP.	0.1μF 50V J
R1929	QRE121J-822Y	C R	8.2kΩ 1/2W J	C1422	QETN1HM-105Z	E CAP.	1μF 50V M
R1932	QRE121J-564Y	C R	560kΩ 1/2W J	C1423	QCS32HJ-100Z	C CAP.	10pF 500V J
R1933	QRE121J-220Y	C R	22Ω 1/2W J	C1424	QFLC2AJ-103Z	M CAP.	0.01μF 100V J
R1934	NRSA02J-333X	MG R	33kΩ 1/10W J	C1426	QFLC1HJ-103Z	M CAP.	0.01μF 50V J
R1936	QRG01GJ-561	OM R	560Ω 1W J	C1427	QETN1VM-107Z	E CAP.	100μF 35V M
R1941	QRE121J-821Y	C R	820Ω 1/2W J	C1428	QEHR1VM-107Z	E CAP.	100μF 35V M
R1942	NRSA02J-122X	MG R	1.2kΩ 1/10W J	C1429	QETN1HM-106Z	E CAP.	10μF 50V M
R1943	NRSA02J-473X	MG R	47kΩ 1/10W J	C1430	QFN32AJ-272Z	M CAP.	2700pF 100V J
R1944	NRSA02J-103X	MG R	10kΩ 1/10W J	C1433	QEHR1HM-475Z	E CAP.	4.7μF 50V M
R1974	NRSA02J-222X	MG R	2.2kΩ 1/10W J	C1435	QETM1EM-228	E CAP.	2200μF 25V M
R1976	NRSA02J-102X	MG R	1kΩ 1/10W J	C1436	QFV71HJ-334Z	MF CAP.	0.33μF 50V J
R1977	QRE121J-122Y	C R	1.2kΩ 1/2W J	C1501	QETN1HM-476Z	E CAP.	47μF 50V M
R1978	NRSA02J-473X	MG R	47kΩ 1/10W J	C1502	NCB31HK-103X	C CAP.	0.01μF 50V K
R1979	QRT02EJ-1R2X	M. F. R	1.2Ω 2W J	C1503	QETN1HM-106Z	E CAP.	10μF 50V M
R1980	QRLO2EJ-103X	O. M. F. R	10kΩ 2W J	C1504	QETN1CM-227Z	E CAP.	220μF 16V M
R1985	QRE121J-120Y	C R	12Ω 1/2W J	C1523	QTMN1VM-476Z	E CAP.	47μF 35V M
R1986	NRSA02J-682X	MG R	6.8kΩ 1/10W J	△ C1525	QFZ0200-742	MPP CAP.	7400pF 1.5KVH ±3%
R1987	NRSA02J-473X	MG R	47kΩ 1/10W J	C1526	QTMN1EM-337Z	E CAP.	330μF 25V M
R1988	NRSA02J-182X	MG R	1.8kΩ 1/10W J	△ C1527	QFZ0199-184	MPP CAP.	0.18μF 250V J
△ R1991	QRZ0057-825	C R	8.2MΩ 1W J	C1530	QCB32HK-561Z	C CAP.	560pF 500V K
CAPACITOR				C1531	QEZO203-107	E CAP.	100μF 160V M
C1001	QETN1HM-106Z	E CAP.	10μF 50V M	C1552	QETM1VM-108	E CAP.	1000μF 35V M
C1002	NCB31HK-103X	C CAP.	0.01μF 50V K	C1554	QETN2EM-475Z	E CAP.	4.7μF 250V M
C1004	QETN1CM-227Z	E CAP.	220μF 16V M	C1555	QFLC2AJ-104Z	M CAP.	0.1μF 100V J
C1005	QFV71HJ-104Z	MF CAP.	0.1μF 50V J	C1571	QETN1AM-107Z	E CAP.	100μF 10V M
C1008	QETN1HM-475Z	E CAP.	4.7μF 50V M	C1572	QETN1EM-476Z	E CAP.	47μF 25V M
C1103	QETN1EM-476Z	E CAP.	47μF 25V M	C1581	QFV71HJ-104Z	MF CAP.	0.1μF 50V J
C1104-07	NCB31HK-472X	C CAP.	4700pF 50V K	△ C1582	QFZ0199-154	MPP CAP.	0.15μF 250V J
C1109	NCB31HK-472X	C CAP.	4700pF 50V K	C1651	QTNC1HM-105Z	E CAP.	1.0μF 50V M
C1110	NRSA02J-OR0X	MG R	0.0Ω 1/10W J	C1652-53	QEHR1HM-106Z	E CAP.	10μF 50V M
C1112	QETN1EM-476Z	E CAP.	47μF 25V M	C1654	NCB21HK-104X	C CAP.	0.1μF 50V K
				C1655	QEHO1VM-228	E CAP.	2200μF 35V M
				C1656	QEHR1EM-477Z	E CAP.	470μF 25V M
				C1658	QETN1HM-226Z	E CAP.	22μF 50V M

△ Symbol No.	Part No.	Part Name	Description
CAPACITOR			
C1659	QETN1CM-107Z	E CAP.	100µF 16V M
C1663	QEHR1HM-106Z	E CAP.	10µF 50V M
C1664	NCB21HK-104X	C CAP.	0.1µF 50V K
C1665	QEHR1HM-105Z	E CAP.	1µF 50V M
C1701	QETN1HM-106Z	E CAP.	10µF 50V M
C1705	QETN1CM-477Z	E CAP.	470µF 16V M
C1706	NCB21EK-104X	C CAP.	0.1µF 25V K
C1707	NCB31HK-103X	C CAP.	0.01µF 50V K
C1708	QETN1EM-476Z	E CAP.	47µF 25V M
C1709	NCB31HK-103X	C CAP.	0.01µF 50V K
C1710	QETN1CM-107Z	E CAP.	100µF 16V M
C1711-13	NCB31HK-103X	C CAP.	0.01µF 50V K
C1714-15	NDC31HJ-330X	C CAP.	33pF 50V J
C1716-17	NDC31HJ-181X	C CAP.	180pF 50V J
C1718	NCB31HK-103X	C CAP.	0.01µF 50V K
C1719	QETN1HM-105Z	E CAP.	1µF 50V M
C1720	NCB31HK-103X	C CAP.	0.01µF 50V K
C1721	NCB21HK-333X	C CAP.	0.033µF 50V K
C1722	NDC31HJ-101X	C CAP.	100pF 50V J
C1728-29	NDC31HJ-181X	C CAP.	180pF 50V J
C1730	NCB31HK-103X	C CAP.	0.01µF 50V K
C1738	QETN1HM-226Z	E CAP.	22µF 50V M
C1741-43	QETN1HM-106Z	E CAP.	10µF 50V M
C1744	NCB31HK-103X	C CAP.	0.01µF 50V K
C1805	QETN1CM-227Z	E CAP.	220µF 16V M
C1806	QETN1CM-477Z	E CAP.	470µF 16V M
C1811	QETN1HM-106Z	E CAP.	10µF 50V M
C1821	QETN1CM-107Z	E CAP.	100µF 16V M
C1822	NCB31HK-103X	C CAP.	0.01µF 50V K
C1823	NDC31HJ-330X	C CAP.	33pF 50V J
C1824	NDC31HJ-390X	C CAP.	39pF 50V J
C1825	QETN1HM-105Z	E CAP.	1µF 50V M
C1826	NCB21HK-333X	C CAP.	0.033µF 50V K
C1828-29	NCB31HK-103X	C CAP.	0.01µF 50V K
C1830	NDC31HJ-470X	C CAP.	47pF 50V J
C1831	QFV71HJ-334Z	MF CAP.	0.33µF 50V J
C1832	NCB31HK-103X	C CAP.	0.01µF 50V K
C1833	NDC31HJ-680X	C CAP.	68pF 50V J
C1834	NDC31HJ-220X	C CAP.	22pF 50V J
C1835	NDC31HJ-221X	C CAP.	220pF 50V J
C1836-38	QETN1HM-335Z	E CAP.	3.3µF 50V M
C1839	NDC31HJ-471X	C CAP.	470pF 50V J
C1841	NCB31HK-152X	C CAP.	1500pF 50V K
C1843-49	NCB31HK-103X	C CAP.	0.01µF 50V K
△ C1901	QFZ9075-104	MPP CAP.	0.1µF FAC275V M
△ C1904	QCZ9082-222Z	C CAP.	2200pF FAC250V M
△ C1905	QCZ9082-222Z	C CAP.	2200pF FAC250V M
△ C1907	QCZ9082-222Z	C CAP.	2200pF FAC250V M
△ C1909	QEZO476-127	E CAP.	120µF 400V M
△ C1910	QFZ9040-473	MF CAP.	0.047µF FAC275V M
C1922	QFLC1HJ-471Z	M CAP.	470pF 50V J
C1924	QETN1VM-107Z	E CAP.	100µF 35V M
C1926	QFLC1HJ-332Z	M CAP.	3300pF 50V J
C1928	NCB21HK-473X	C CAP.	0.047µF 50V K
C1929	QFP32GJ-223Z	PP CAP.	0.022µF 200V J
C1930	QCZ0325-561	C CAP.	560pF 2kV K
C1931-32	QCZ0325-151	C CAP.	150pF 2kV K
C1941	QCZ0122-561	C CAP.	560pF 2kV K
C1942	QEZO420-107	E CAP.	100µF 160V M
C1945	QEHR1CM-108Z	E CAP.	1000µF 16V M
C1946	QEHR1CM-477Z	E CAP.	470µF 16V M
C1948	QEHR1VM-108Z	E CAP.	1000µF 35V M
C1949	NDC31HJ-471X	C CAP.	470pF 50V J
C1950	NCB21HK-104X	C CAP.	0.1µF 50V K
C1971	QETN1HM-226Z	E CAP.	22µF 50V M
C1972	QETN1CM-107Z	E CAP.	100µF 16V M
C1976	QETN1HM-105Z	E CAP.	1µF 50V M
C1977	QETN1CM-477Z	E CAP.	470µF 16V M
C1978	QETN1CM-227Z	E CAP.	220µF 16V M
C1979	QETN1CM-107Z	E CAP.	100µF 16V M
△ C1991	QCZ9079-471	C CAP.	470pF FAC250V K
△ C1992	QCZ9079-471	C CAP.	470pF FAC250V K
△ C1993	QCZ9079-102	C CAP.	1000pF FAC250V M

△ Symbol No.	Part No.	Part Name	Description
TRANSFORMER			
△ T1921	QCS0050-001	SWITCH. TRANSF.	
COIL			
L1001	QQL244K-8R2Z	COIL	8.2µH K
L1101	QQLZ014-2R2	PEAKING COIL	
L1103	QQL244K-8R2Z	COIL	8.2µH K
L1331	QQL244K-470Z	COIL	47µH K
L1522	QQR1005-003	LINEARITY COIL	
L1523	QQL342J-2R2Z	INDUCTOR	
L1551	QQLZ026-640	HEATER CHOKE	
L1701	QQL244J-5R6Z	COIL	5.6µH J
L1821	QQL244J-5R6Z	COIL	5.6µH J
L1941-43	QQL26AK-820Z	COIL	82µH K
DIODE			
D1001	MA3330/L/-X	ZENER DIODE	
D1102	1SS85-T2	SI. DIODE	
D1301-02	MA3091/M/-X	ZENER DIODE	
D1305	RB100A-T2	SI. DIODE	
D1306	1SR124-400A-T2	SI. DIODE	
D1341-42	1SS355-X	SI. DIODE	
D1372-73	1SS355-X	SI. DIODE	
D1421-22	MA3360/M/-X	ZENER DIODE	
D1423	1SR124-400A-T2	SI. DIODE	
D1424-25	1SS355-X	SI. DIODE	
D1427	MA3270/H/-X	ZENER DIODE	
D1551	RGP10J-TS-T3	SI. DIODE	
D1552	RH1S-T3	SI. DIODE	
D1553	MA3091/M/-X	ZENER DIODE	
D1554	1SS355-X	SI. DIODE	
D1571	MA3075/M/-X	ZENER DIODE	
D1581	MA3200/M/-X	ZENER DIODE	
D1582	RGP10J-TS-T3	SI. DIODE	
D1651-52	1SS355-X	SI. DIODE	
D1653	MTZJ18A-T2	ZENER DIODE	
D1701	1SS355-X	SI. DIODE	
D1704	L-132XI D-T16	L. E. D. (RED)	
D1705	L-132XND-T16	L. E. D. (RED)	
D1706-07	1SS355-X	SI. DIODE	
△ D1731	1SS355-X	SI. DIODE	
△ D1901	G2SBA60	BRI DGE. DIODE	
D1921	RGP10J-TS-T3	SI. DIODE	
D1922-24	1SS355-X	SI. DIODE	
D1926	MA3056/M/-X	ZENER DIODE	
D1927	MA3068/M/-X	ZENER DIODE	
D1929	RD12E/B2/-T5	ZENER DIODE	
D1930	EG1A-T3	SI. DIODE	
D1932	1SS355-X	SI. DIODE	
D1933	RD27E/B2/-T5	ZENER DIODE	
D1941	RU3AM-LFC4	SI. DIODE	
D1942	RU3YX-LFC4	SI. DIODE	
D1943	RGP10J-TS-T3	SI. DIODE	
D1945	MA3075/H/-X	ZENER DIODE	
D1973-74	1SS355-X	SI. DIODE	
D1982-83	1SS355-X	SI. DIODE	
TRANSISTOR			
Q1102	2SC5083/L-P/-T	SI. TRANSISTOR	
Q1103	DTC124EKA-X	DI G. TRANSISTOR	
Q1301	2SA1037AK/QR/-X	SI. TRANSISTOR	
Q1302	2SC2412K/QR/-X	SI. TRANSISTOR	
Q1351-53	2SC4722/NP/-	SI. TRANSISTOR	
Q1371-73	2SC2412K/QR/-X	SI. TRANSISTOR	
Q1401	DTC124ESA-T	DI G. TRANSISTOR	
Q1402-04	2SC2412K/QR/-X	SI. TRANSISTOR	
Q1521	2SK3065-W	F. E. T.	
△ Q1522	2SC5388-CA	SI. TRANSISTOR	
Q1523-24	2SC2412K/QR/-X	SI. TRANSISTOR	
Q1571	2SA1208/ST/Z1-T	SI. TRANSISTOR	
Q1572	2SC2412K/QR/-X	SI. TRANSISTOR	

Symbol No.	Part No.	Part Name	Description
TRANSI STOR			
Q1651	2SA1037AK/QR/-X	SI . TRANSI STOR	
Q1652	DTC323TK-X	DI GI . TRANSI STOR	
Q1654-55	2SC2412K/QR/-X	SI . TRANSI STOR	
Q1702	2SC2412K/QR/-X	SI . TRANSI STOR	
Q1703	DTC124EKA-X	DI GI . TRANSI STOR	
Q1708	DTC124EKA-X	DI GI . TRANSI STOR	
Q1709	2SA1037AK/QR/-X	SI . TRANSI STOR	
Q1803	2SC1815/YG/-T	SI . TRANSI STOR	
Q1804	2SC2412K/QR/-X	SI . TRANSI STOR	
Q1821	2SA1037AK/QR/-X	SI . TRANSI STOR	
Q1822	2SC2412K/QR/-X	SI . TRANSI STOR	
Q1824	2SC2412K/QR/-X	SI . TRANSI STOR	
Q1825	DTC124EKA-X	DI GI . TRANSI STOR	
Q1941	2SC2412K/QR/-X	SI . TRANSI STOR	
Q1943	DTC114EKA-X	DI GI . TRANSI STOR	
Q1973	2SC2412K/QR/-X	SI . TRANSI STOR	
Q1974	2SA966/OY/-T	SI . TRANSI STOR	
Q1975	DTC124EKA-X	DI GI . TRANSI STOR	

I C

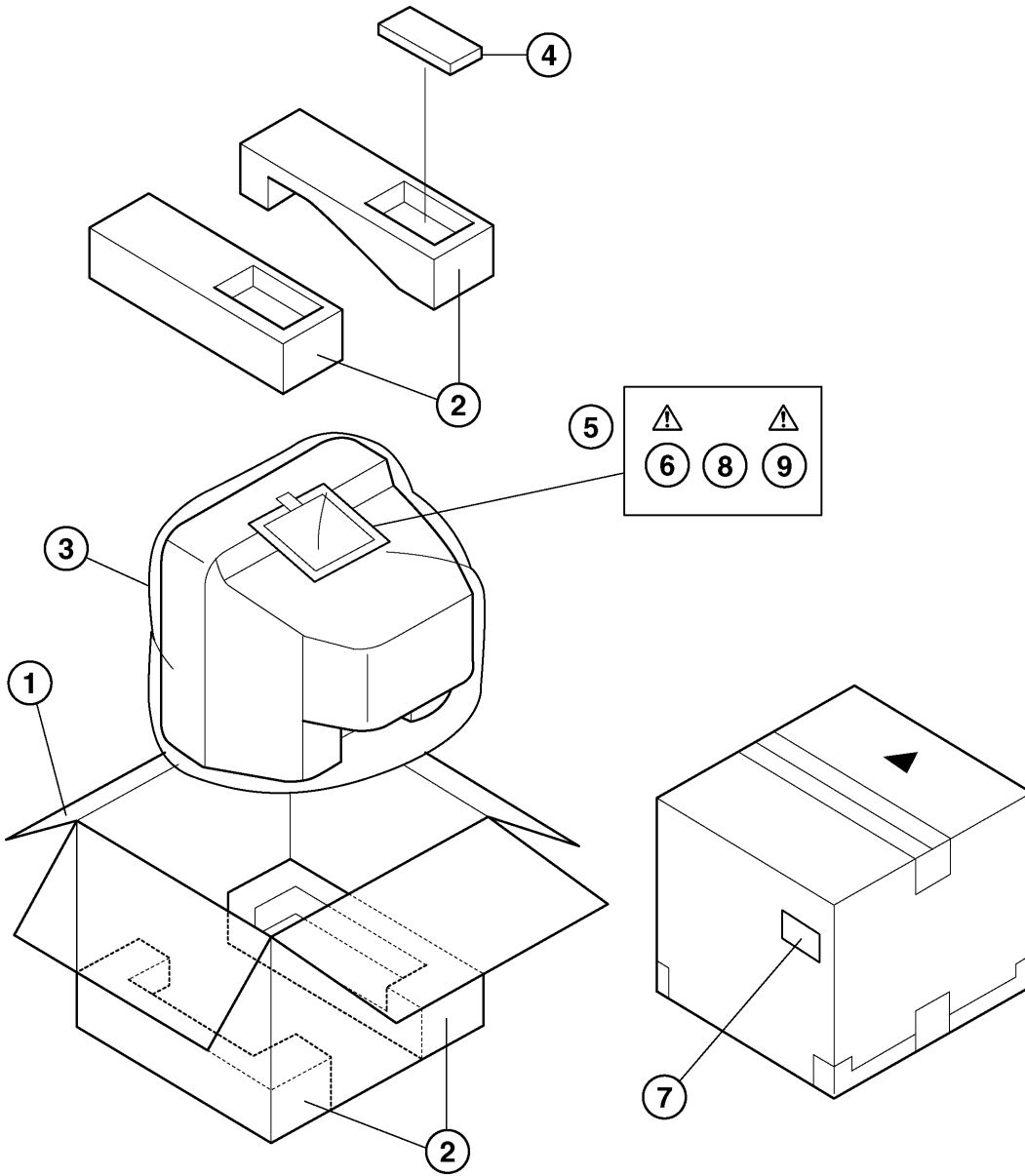
IC1301	NN5198K	I . C(M)
IC1371	TC4053BP/N/	I . C(DI GI -MOS)
IC1421	AN5539-LF	I . C(MONO-ANA)
IC1651	LA4287	I . C(MONO-ANA)
IC1652	SI -5001X-X	I . C(HYBRI D)
IC1701	MN1873287JA1	I . C(MI CRO-COMP)
IC1702	BR24C08	I . C(MEMORY-OTH)
IC1703	L78LR05E-MA	I . C(MONO-ANA)
IC1704	PI C-28143SY	I FR DETECT UNI T
IC1821	SDA5254-2-B003	I . C(DI GI -OTHER)
IC1921	STR-G6653	I . C(HYBRI D)
IC1941	SE115N-LF12	I . C(HYBRI D)
IC1971	BA51W12ST-V5	I . C(MONO-ANA)

OTHERS

CL1001	LC30114-001C-H	L . E . D . HOLDER	
CL1005	CM35921-005-H	CDS HOLDER	
CN10PW	QZWO028-002	WI RE CLAMP	
△ CN10S1	QZWO027-001	WI RE CLAMP	
△ CN110S	QGA2501C5-05Z	EH POST HEADER	
△ CP1981	QGA2501C5-04Z	WI TO B CONNE	
	ICP-N75-Y	I . C . PROTECT	
△ CP1982	ICP-N75-Y	I . C . PROTECT	
EF1801	CE42482-103Y	EMI FI LTER	
△ F1901	QMF51E2-3R15J4	FUSE	3. 15A
FC1901	CEMG002-001Z	FUSE CLIP	
J1002	QNN0384-001	PI N JACK	
J1003	QNN0281-003	PI N JACK	
J1004	QNN0281-002	PI N JACK	
J1005	QNS0165-001	PI N JACK	
K1001	QQR0621-002Z	BEADS CORE	
K1351	QQR0621-002Z	BEADS CORE	
K1421	QQR0582-001Z	BEADS CORE	
K1921-22	QQR1113-001Z	FERRI TE BEADS	
K1923	QQR1114-001Z	FERRI TE BEADS	
K1924	QQR1113-001Z	FERRI TE BEADS	
K1941-43	QQR1113-001Z	FERRI TE BEADS	
△ LF1901	QQR1095-002	LI NE FI LTER	
PC1701	P1241-04	C . D . S .	
△ PC1921	PC123F2	I . C(PH . COUPLER)	
△ RY1971	OSK0061-002	RELA Y	
△ S1701-05	OSW0619-003Z	PUSH SWI TCH	
△ S1901	OSW0750-001	PUSH SWI TCH	
SF1102	QAX0594-001	SAW FI LTER	
SF1122	QAX0325-001	SAW FI LTER	
△ SK1351	CE42554-001	C . R . T . SOCKET	
△ TH1901	QAD0119-9R0	P . THERMI STOR	
TU1001	QAU0192-001	TUNER	
△ VA1901	QAF0052-621	VARI STOR	
X1301	QAX0500-001Z	CRYSTAL	
X1302	CE42690-001Z	CRYSTAL	
X1701	FCR12 . OM2S	CER . RESONATOR	
X1821	QAX0588-001Z	CRYSTAL	

Symbol No.	Part No.	Part Name	Description
OTHERS			
Y1302	NRSA02J-OROX	MG R	0 . 0Ω 1/10W J
Y1503	NRSA02J-OROX	MG R	0 . 0Ω 1/10W J
Y1704	NRSA02J-OROX	MG R	0 . 0Ω 1/10W J
Y1921	NRSA02J-OROX	MG R	0 . 0Ω 1/10W J
Y1941-42	NRSA02J-OROX	MG R	0 . 0Ω 1/10W J
Y1945	NRSA02J-OROX	MG R	0 . 0Ω 1/10W J
Y1972	NRSA02J-OROX	MG R	0 . 0Ω 1/10W J

PACKING



PACKING PARTS LIST

△ Ref. No.	Part No.	Part Name	Description	Local
1	GG10056-009A-H	PACKING CASE		
2	LC10833-002B-H	PACKING CUSHION		
3	CP30967-002-H	POLY BAG		
4	RM-C223-2C	REMOCON UNIT		
5	CP30966-001-H	POLY BAG		
△ 6	LCT0756-001A-H	INST. BOOK		
7	CM47385-00B-H	POS/SERIAL LABEL		
△ 8	CM36447-00A-H	ROD ANTENNA		
△ 9	LCT0862-001A-H	INSTRUCT. SHEET		

REMOTE CONTROL UNIT PARTS LIST (RM-C233-2C)

<u>△ Ref. No.</u>	<u>Part No.</u>	<u>Part Name</u>	<u>Description</u>	<u>Local</u>
	3139 224 20073	BATTERY COVER		

JVC

VICTOR COMPANY OF JAPAN, LIMITED

HOME AV NETWORK BUSINESS UNIT 12, 3-chome, Moriya-cho, Kanagawa-ku, Yokohama, Kanagawa-prefecture, 221-8528, Japan

AV14F4TEESKH #003



Printed in Japan
VP 0109
DP2058